

HCB Type

For use in lithium-ion secondary batteries

The HCB cartridges are depth filters designed for use in lithium-ion secondary batteries. The optimized media structure ensures stable flow rates even for liquids with high solid contents, such as electrode slurry.

Features

- With its direct flow structure, the HCB cartridges provide stable flow rates and prevent rapid decrease in flow rates in the beginning of operation even for liquids with high solid contents such as electrode slurry.
- With a media composition optimized for filtering electrode slurry, the HCB cartridges deliver long service life.
- Available in 6 grades based on micron ratings from 55 to 200 μm , our HCB cartridges can accommodate various types of electrode slurry.
- The cartridges can be used for filtering NMP-based^{※1} fluids as well as water-based fluids.^{※2}


※1: NMP: N-methylpyrrolidone

※2: For details about the use conditions, please contact us.



Major Applications

- Electrode slurry

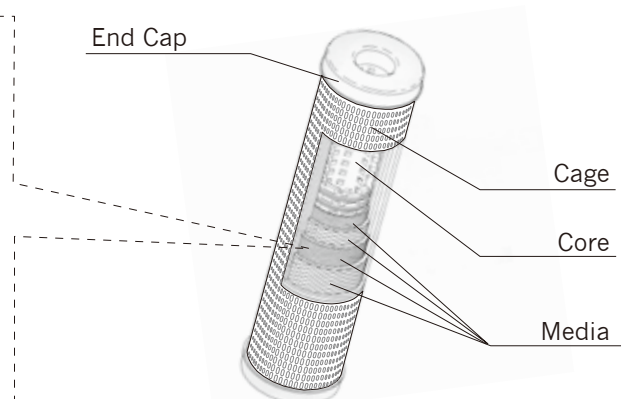
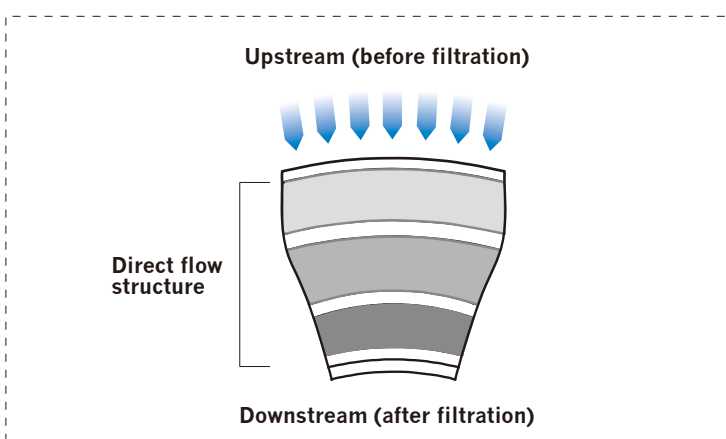


Ez-Change™
Capsule Filter Cartridge

This product can be installed in the Capsulate Filter "Ez-Change". Please refer to the Ez-Change catalog in detail.

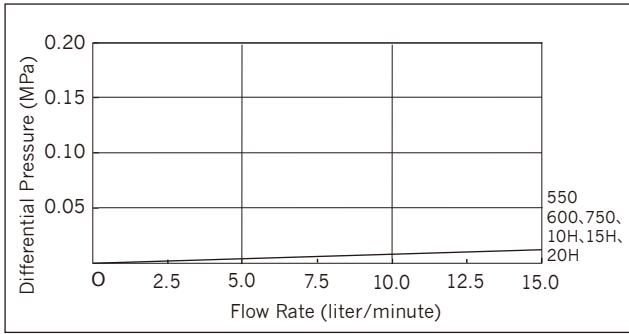
Materials of Construction

CILIA-CLEAN Filtration Mechanism



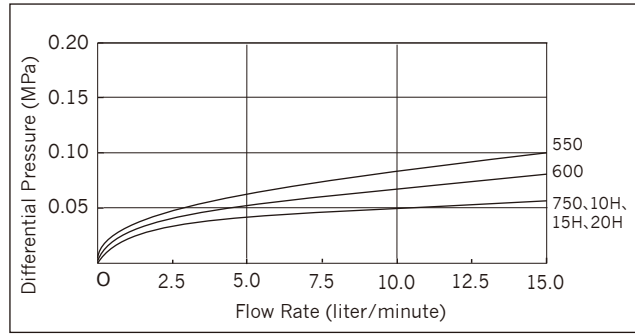
Differential Pressure vs Flow Rate

Fluid: CMC (400cP)
Cartridge Length: 250mm



※The data do not include piping pressure drop.

Fluid: CMC (10,000cP)
Cartridge Length: 250mm



*The above data are based on our test condition, and are not guaranteed value.

Particle Removal Efficiency

Particle Size (μm)	Particle Removal Efficiency (%)					
	550	600	750	10H	15H	20H
25	>80.0					
50	>95.0					
55	>98.0	>95.0				
60		>98.0	>85.0			
75		>99.0	>90.0	>85.0	>85.0	
100		>99.9	>97.0	>96.0	>96.0	>80.0
150			>99.9	>99.9	>99.0	>97.0
200				>99.9	>99.9	>99.9

<Test Conditions>

Equipment: Particle Counter in Liquid
Filtration: Single Pass
Fluid: Refined Water
Flow Rate: 10 liter/minute
Dust: RADIOLITE800 (HCB-550)
Polyester powder (HCB-600~HCB-20H)

*The above data are based on our test condition, and are not guaranteed value.

Ordering Information

250 L-HCB-600

P

Z

C

[Nominal Length]
125 = 125mm
250 = 250mm
500 = 500mm

[Product Type]

[Micron Rating]
550 = 55μm 10H = 100μm
600 = 60μm 15H = 150μm
750 = 75μm 20H = 200μm

[End Cap]
P = Foamed polyethylene

[End Cap Code]
Z = for foamed polyethylene sealant

[Packaging Code]
B = 6 pcs
C = 10 pcs
F = 25 pcs

Specification

Product Type	HCB					
Grade	550	600	750	10H	15H	20H
Micron Rating (μm)	55	60	75	100	150	200
Dimensions	Length (mm)	125 / 250 / 500				
	O.D. (mm)	67				
	I.D. (mm)	27				
Materials	Media	Polypropylene				
	Core	Polypropylene				
	Cage	Polyethylene				
	End Cap	Foamed polyethylene				
Gasket / O-Ring		-				
Maximum ΔP (MPa) at 20°C		0.49				
Maximum Operating Temp. (°C)		60				

※For further information on specifications (length, end cap type, etc.), please contact us.

End Cap Code

Code PZ



*The contents of the catalog is subject to change without notice.